

LED WALL LAMP



MODEL: WL ML09G-210T OVAL 14W 4000K

Electrical input data

Specification item	Value	Unit	Condition
Nominal input voltage	220...240	V/AC	
Nominal input frequency	50...60	Hz	
Nominal input current	125	mA	Input voltage 230 V/AC, full load
Input inrush Current I-peak	5.28	A	240Vac input, 25°C cold start
Input inrush Current T-width	414	us	240Vac input, measured at 50% I _{max}
Nominal input power	14± 10%	W	Input voltage 230 V/AC, full load
Power factor	> 0.5		Input voltage 230 V/AC, full load
Total harmonic distortion	/	%	Input voltage 230 V/AC, full load
Input voltage AC	198...265	V/AC	Maximum permissible range
Input frequency AC	47...63	Hz	Maximum permissible range

Proizvođač: MASS-LIGHT Ltd., Rm905, Workingberg Comm Bldg, 41-47 Marble Rd, Hong Kong,

Uvoznik: Saša Trade d.o.o. Adresa: Pločnik BB, 74000, Dobož Tel: +387 53 241 – 469 fax: +387 53 227 – 033

Zemlja porijekla: P.R.C. – Kina – China www.mass-light.com



Photometric characteristics

Specification item	Value	Unit	Condition
CCT	4000	K	Color temperature
CRI	> 80		Color rendering index
Total Luminous flux	1300	lm	
Optical efficiency	92	lm/W	
Color Consistency	< 6	SDCM	
Center point: x	0.3818		4000K
Center point: y	0.3797		
Energy efficient index EEI	0.145		

Environment Requirements

Specification item	Value	Unit	Condition
Operating temperature	-20...+40	°C	
Operating Relative Humidity	10...90	%	
Storage Temperature	-40...+70	°C	
Storage Relative Humidity	5...95	%	
IP level	IP54		
Switching cycles	100000	cycles	5s on/off IEC 62612
Life-time	25000	hours	At nominal input conditions (25°C)
Guarantee	2	years	At nominal input conditions (25°C)

Proizvođač: MASS-LIGHT Ltd., Rm905, Workingberg Comm Bldg, 41-47 Marble Rd, Hong Kong,

Uvoznik: Saša Trade d.o.o. Adresa: Pločnik BB, 74000, Dobož Tel: +387 53 241 – 469 fax: +387 53 227 – 033

Zemlja porijekla: P.R.C. – Kina – China www.mass-light.com

EMC standards

Specification item	Remark	Condition
EN55015	Disturbance voltages at mains terminals	Accord
EN55015	Radiated disturbance in frequency range 9KHz to 30MHz	Accord
EN55015	Radiated disturbance in frequency range 30MHz to 300MHz	Accord
EN 61000-3-2	Harmonic current emissions(Class C)	Accord
EN 61000-3-3	Voltage fluctuations & flicker	Accord
EN 61000-4-2	Electrostatic discharge immunity test ESD :8kV air discharge, 4kV contact discharge	Accord
EN 61000-4-3	Radiated, radio frequency, electromagnetic field immunity RS: 80M-1000M 3V/m	Accord
EN 61000-4-4	Electrical fast transient / burst immunity EFT: $\pm 1\text{KV}$ 5KHz	Accord
EN 61000-4-5	Surge immunity: line to line 0.5kV, (Pin<25W)	Accord
EN 61000-4-6	Immunity to conducted disturbances, induced by radio -frequency fields CS: 0.15M-80M 3Vr.m.s	Accord
EN 61000-4-11	Voltage dips, short interruptions and voltage variations immunity	Accord

Proizvođač: MASS-LIGHT Ltd., Rm905, Workingberg Comm Bldg, 41-47 Marble Rd, Hong Kong,

Uvoznik: Saša Trade d.o.o. Adresa: Pločnik BB, 74000, Dobož Tel: +387 53 241 – 469 fax: +387 53 227 – 033

Zemlja porijekla: P.R.C. – Kina – China www.mass-light.com



Safety standards

Specification item	Value	Unit	Condition
Dielectric Strength(Hi-pot)	1500	V/AC	L/N to Shell , 5mA Max.
Earth leakage Current	/	mA-pk	230Vac / 50Hz
Insulation Resistance	/	MΩ	Primary to GND, 500Vdc voltage
Approval marks	GS, EMC, CE		
Safety standard	IEC60598, IEC61347, EN62471, IEC62493		

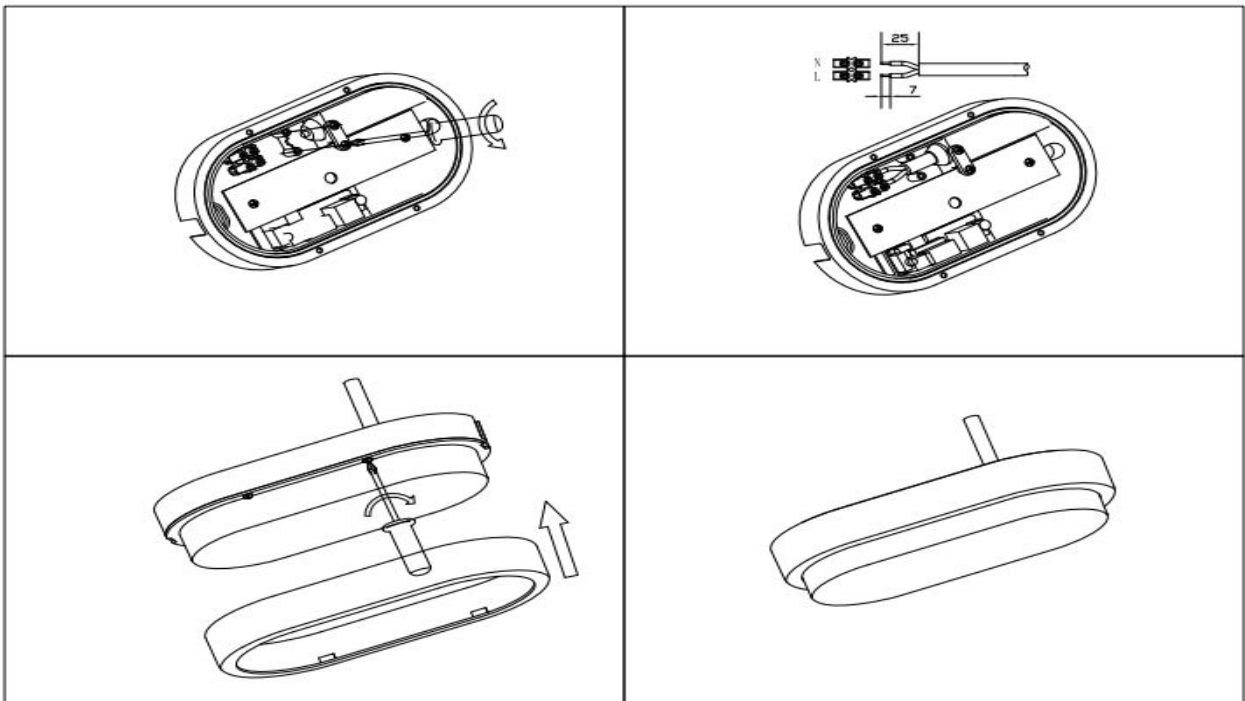
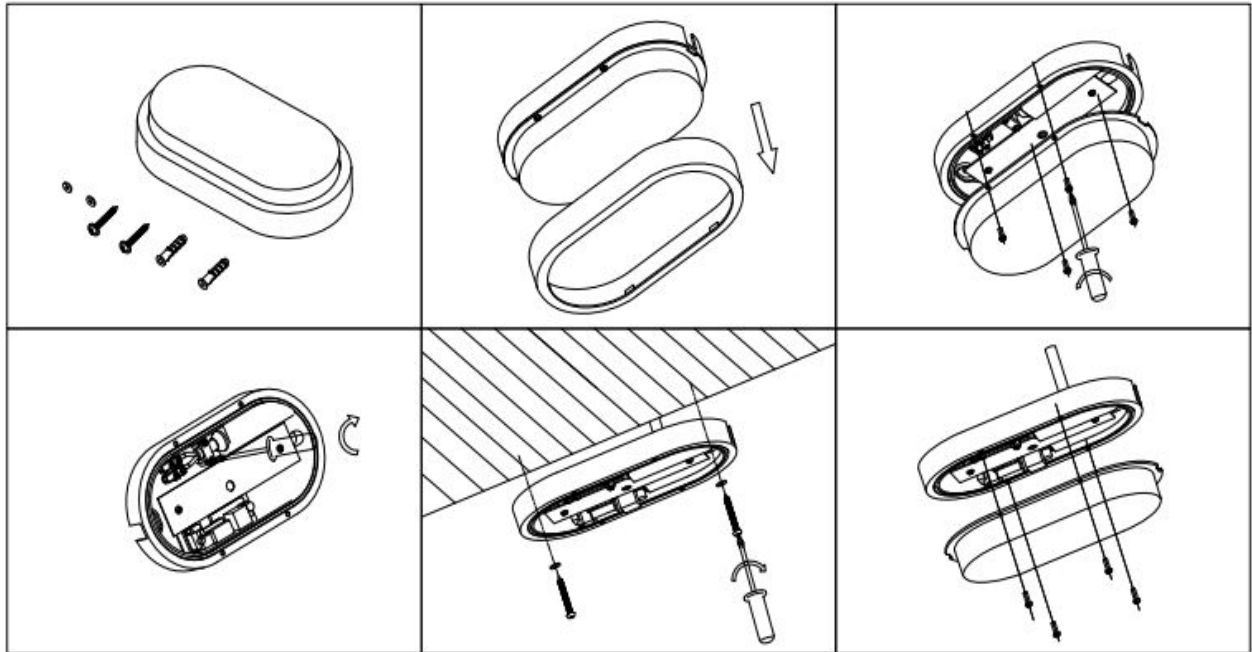
Dimensions and weight

Specification item	Value	Unit	Condition
Housing	Plastic		
Length	573± 1.0	mm	
Width	28± 0.5	mm	
Height	36± 0.5	mm	
Weight	250	gram	

Proizvođač: MASS-LIGHT Ltd., Rm905, Workingberg Comm Bldg, 41-47 Marble Rd, Hong Kong,

Uvoznik: Saša Trade d.o.o. Adresa: Pločnik BB, 74000, Dobož Tel: +387 53 241 – 469 fax: +387 53 227 – 033

Zemlja porijekla: P.R.C. – Kina – China www.mass-light.com



Proizvođač: MASS-LIGHT Ltd., Rm905, Workingberg Comm Bldg, 41-47 Marble Rd, Hong Kong,

Uvoznik: Saša Trade d.o.o. Adresa: Pločnik BB, 74000, Doboj Tel: +387 53 241 – 469 fax: +387 53 227 – 033

Zemlja porijekla: P.R.C. – Kina – China www.mass-light.com